

Programmes After Market Services NPW-2NX Series Transceivers

7. Service Tools

Contents

	Page No
Docking Station (JBV-1) and Docking Station Adapter (MJF-1)	5
Product Code	5
View of Docking Station	6
View of Docking Station Adapter	6
Galvanic Contact (GAC-2)	7
Product Code	7
View of Galvanic Contact	7
Flash Adapter (FLA-14).....	8
Product Code	8
View of Flash Adapter	8
Soldering Jig (MJS-26)	9
Product Code	9
View of Soldering Jig	9
Flash Prommer (FPS-8)	10
Product Code	10
View of Flash Prommer	10
Audio Cable (ADS-6)	11
Product Code	11
View of Audio Cable	11
Audio box (JBA-8).....	12
Product Code	12
View of Audio Box	12
Mbus/Fbus Cable (XCS-4).....	13
Product Code	13
View of Mbus/Fbus Cable.....	13
DC Cable (SCB-3)	14
Product Code	14
View of DC Cable	14
Power Cable (PCS-1)	15
Product Code	15
View of Power Cable	15
RF Cable (XRS-6).....	16
Product Code	16
View of RF Cable.....	16
SW Security Device (PKD-1)	17
Product Code	17
View of SW Security Device	17
Module Jig (MJS-17)	18
Product Code	18
View of Module Jig	18
Parallel Flash Prommer (FPS-8C).....	19
Product Code	19
View of Parallel Flash Prommer	19
POS Flash (FLS-4).....	20
Product Code	20
View of POS Flash Adapter	20
MBUS Cable (DAU-9P)	21

Product Code	21
View of MBUS Cable DAU-9P	21
MBUS Cable (DAU-9S)	22
Product Code	22
View of MBUS Cable DAU-9S	22
Printer Cable (AXP-8)	23
Product Code	23
View of Printer Cable	23
Modular T-adapter	24
Product Code	24
View of Modular T-adapter	24
Flashing and Testing Setups	25
POS Flash (FLS-4, 0080543 - Setup 1)	25
Product Code	25
Flashing, testing, and tuning with covers on (Setups 2a, 2b, and 2c)	26
Service Tool Setup 2a	27
Service Tool Setup 2b	27
Service Tool Setup 2c	28
Flashing and testing with covers off (Setup 3)	29
Parallel Flash (Setup 4)	30

Docking Station (JBV-1) and Docking Station Adapter (MJF-1)

The Docking Station and the Docking Station Adapter are needed for Mbus, Fbus, RF, and audio connections.

This setup allows connection between flash prommers. When the audio box is connected, it has to be connected to the phone's audio connector. The Docking Station can be powered by FPS-8 or external power supply.

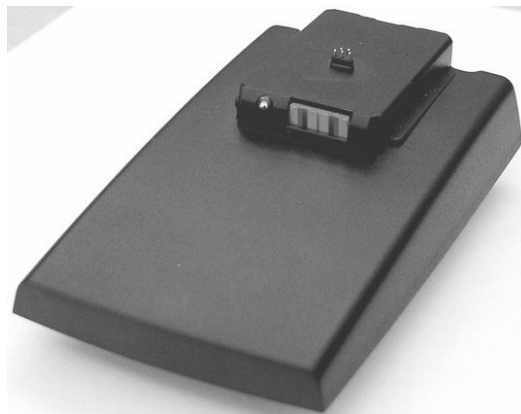
Product Code

Docking Station JBV-1	0770298
Docking Station Adapter MJF-1	0770354

View of Docking Station



View of Docking Station Adapter



Galvanic Contact (GAC-2)

Galvanic Contact GAC-2 adapter provides an RF galvanic connection to RF test and measuring equipment.

Product Code

Galvanic Contact GAC-2

0770379

View of Galvanic Contact



Flash Adapter (FLA-14)

Flash Adapter allows continuous maximum power supply for the phone from an external power supply (ACF-8). The flash adapter allows Mbus/Fbus connections. The flash adapter is protected against over-voltage, over-current, and cross-connection. The flash adapter provides a regulated voltage to the phone.

Note: The flash adapter is designed for flashing only.

Product Code

Flash Adapter FLA-14 0770293

Flash Adapter FLA-14 w/ DC Cable FLC-2 0080538

View of Flash Adapter



Soldering Jig (MJS-26)

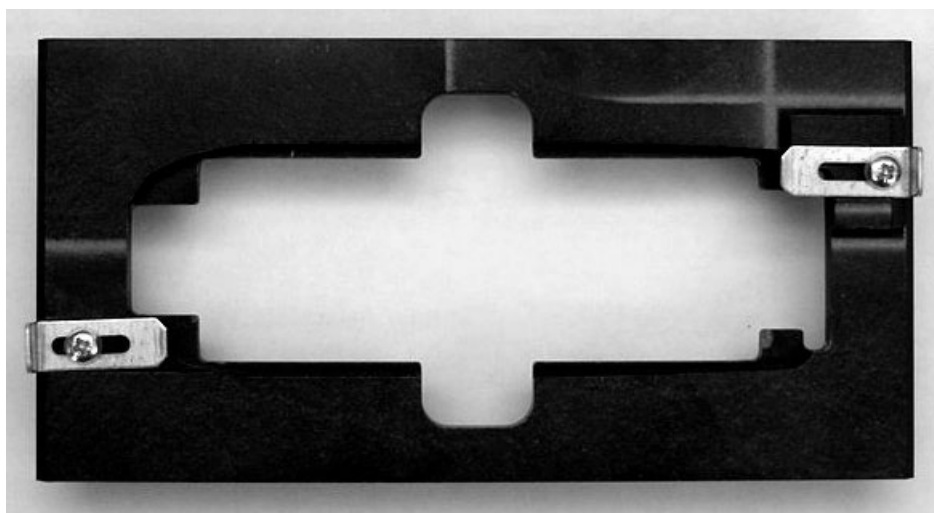
The Soldering Jig is designed to hold PWB during repair and troubleshooting.

Product Code

Soldering Jig MJS-26

0770352

View of Soldering Jig



Flash Prommer (FPS-8)

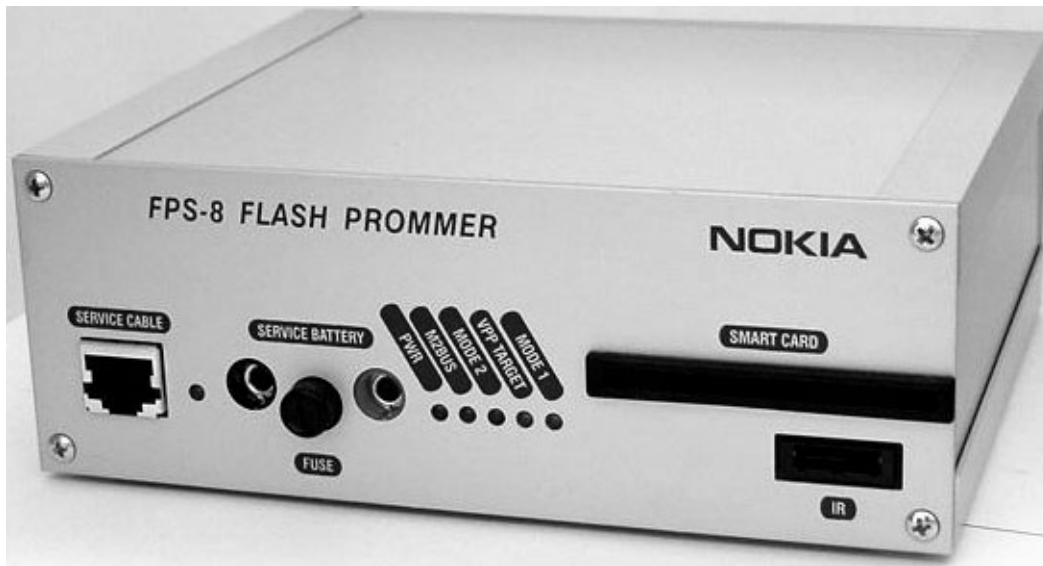
The Flash Prommer FPS-8 is used for heavy flash.

Product Code

Flash Prommer FPS-8

0080321

View of Flash Prommer



Audio Cable (ADS-6)

The Audio Cable connects to the Audio Box JBA-8.

Product Code

Audio Cable ADS-6

0730241

View of Audio Cable



Audio box (JBA-8)

The JBA-8 is required for audio testing.

Product Code

Audio Box JBA-8

0770320

View of Audio Box



Mbus/Fbus Cable (XCS-4)

The XCS-4 Service Cable is a modular cable for flashing DCT4 products.

Product Code

Mbus/Fbus Cable XCS-4

0730178

View of Mbus/Fbus Cable



DC Cable (SCB-3)

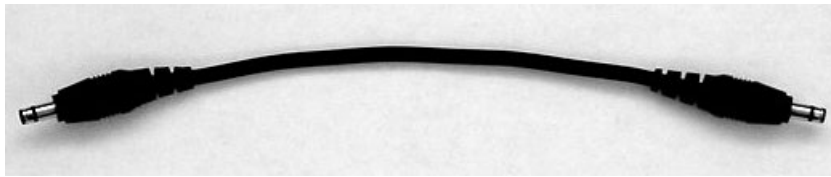
The DC Cable SCB-3 is used to connect the docking station to the charger connection (Vin) of the phone to conduct the charger calibration service procedure.

Product Code

DC Cable SCB-3

0730114

View of DC Cable



Power Cable (PCS-1)

The Power Cable PCS-1 is used to connect the service tools (JBV-1, MJS-17) to an external power supply.

Product Code

Power Cable PCS-1

0730012

View of Power Cable



RF Cable (XRS-6)

RF Cable XRS-6 is used to connect the service tools to RF measuring equipment.

Product Code

RF Cable XRS-6

0730231

View of RF Cable



SW Security Device (PKD-1)

SW security device PKD-1 is hardware device that, when connected to the parallel (LPT) port of the PC, enables the use of the service software. Without the dongle present, it is not possible to use the service software. Printers or other peripheral devices can be connected to the PC through the dongle, if needed.

Caution: Make sure that you have switched off the PC and the printer before making connections!

Caution: Do not connect the PKD-1 to the serial port. You may damage your PKD-1!

Product Code

SW Security Device PKD-1

0750018

View of SW Security Device



Module Jig (MJS-17)

This jig allows phone PWB level service and troubleshooting.

Product Code

Module Jig MJS-17

0770353

View of Module Jig



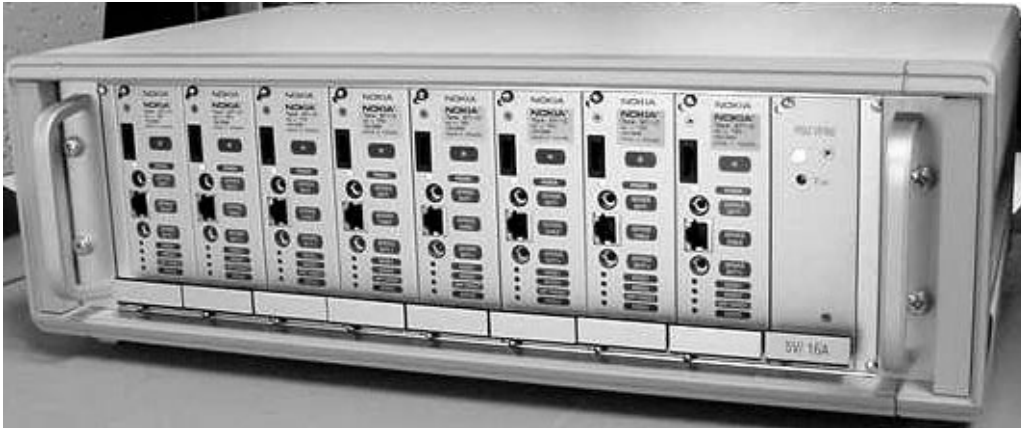
Parallel Flash Prommer (FPS-8C)

The FPS-8C Flash Prommer is used for heavy parallel flashing.

Product Code

Parallel Flash Prommer FPS-8C 0080396

View of Parallel Flash Prommer



POS Flash (FLS-4)

The Point of Sale (POS) flash is a low-cost software upgrade tool. This requires the XCS-1 (0730218) cable and ACF-8 (0680032- included in the FLS-4 sales pack) for operation.

Product Code

POS Flash Adapter FLS-4 0080543

View of POS Flash Adapter



MBUS Cable (DAU-9P)

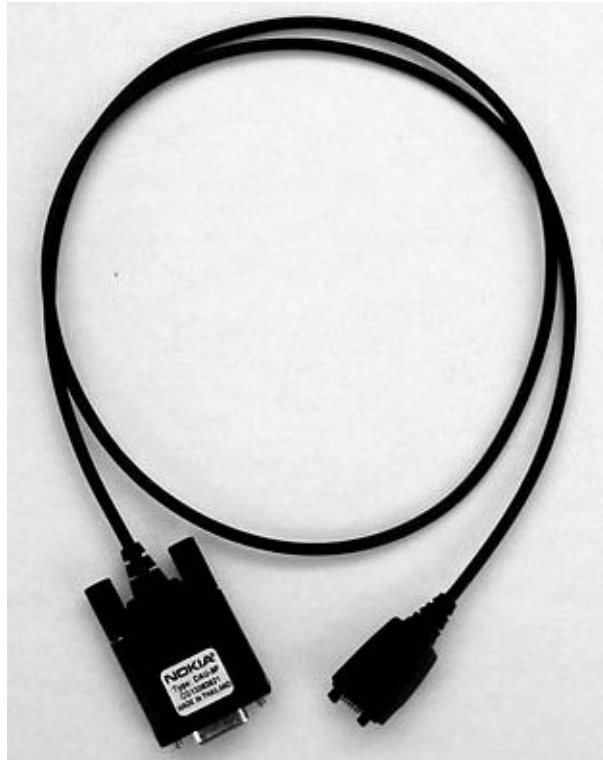
The MBUS cable DAU-9P provides a connection from the serial port of the computer to the system connector of the phone.

Product Code

MBUS Cable DAU-9P

0730109

View of MBUS Cable DAU-9P



MBUS Cable (DAU-9S)

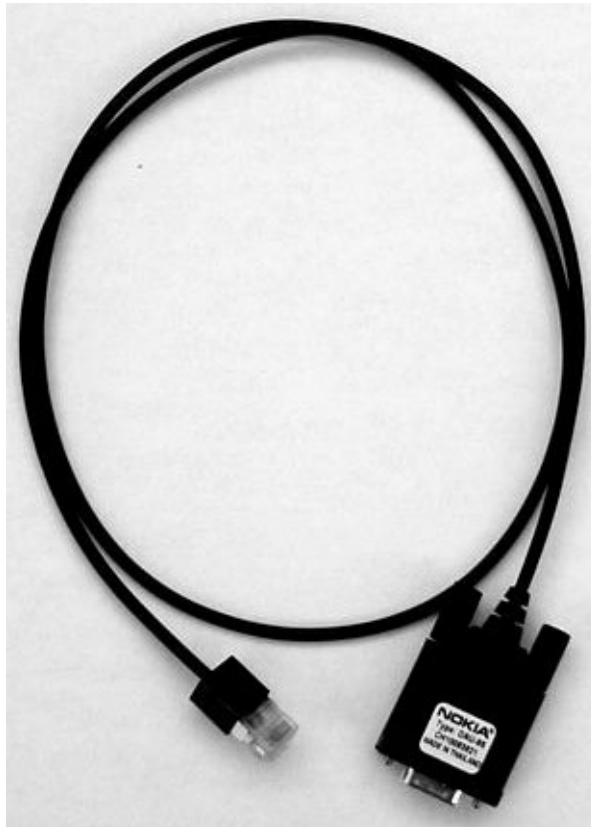
The MBUS Cable DAU-9S has a modular connector and is used with the service Audio Box JBA-8.

Product Code

MBUS Cable DAU-9S

0730108

View of MBUS Cable DAU-9S



Printer Cable (AXP-8)

The Parallel Printer Cable connects the parallel connector of the PC and the parallel input of the FPS-8 or FPS-8C. (AXP-8 is included in the FPS-8 and FPS-8C sales packs.)

Product Code

Printer Cable AXP-8

073F000

View of Printer Cable



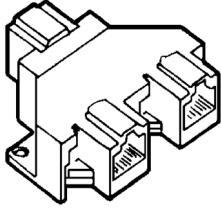
Modular T-adapter

The Modular T-adapter is a suitable branching unit to provide the needed parallel modular connections.

Product Code

Modular T-adapter	4626134
-------------------	---------

View of Modular T-adapter



Flashing and Testing Setups

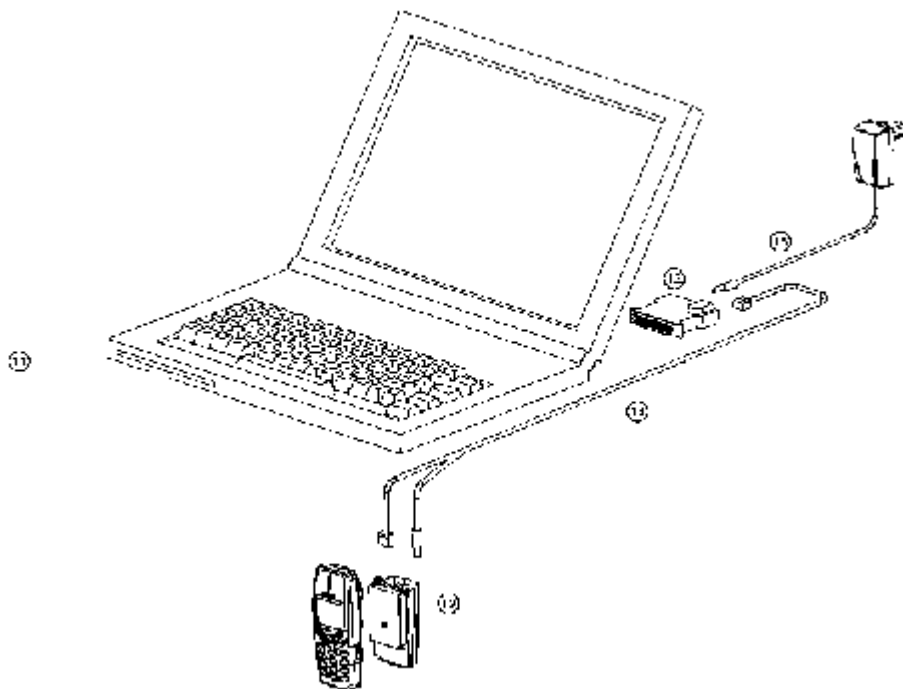
POS Flash (FLS-4, 0080543 - Setup 1)

This setup is made for Point-Of-Sale use, but it also can be used in service centers. The purpose of this is to make flashing as easy as possible in POS's and to prevent the unnecessary handset flow to service.

Product Code

POS Dongle, FLS-4 : 0080543

Figure 1: View of POS flash



Item	Name	Type	Code
11	Service SW for NPW-2 Service SW for Phoenix		8410137 8406941
12	POS dongle	FLS-4	0080543
13	Service cable	XCS-1	0730218
18	Universal power supply (included in the FLS-4 sales package)	ACF-8	0680032
19	Flash Adapter	FLA-14	0770293

Flashing, testing, and tuning with covers on (Setups 2a, 2b, and 2c)

Tightened performance specifications require more precise equipment and methods for testing and alignment. Manual tuning can't provide accurate results for NPW-2 products, which means that this task has to be automated.

These setups are intended to be used with either Phoenix or Darium SW. With the Phoenix SW, it is possible to do manual testing and automated tuning. With Darium, it is possible to do automated testing and tuning.

Item	Name	Type	Code
1	Docking Station	JBV-1	0770298
2	Docking Station Adapter	MJF-1	0770354
3	Service cable	XCS-4	0730178
4	DC cable	PCS-1	0730012
5	DC cable	SCB-3	0730114
6	Flash prommer (optional for tuning and testing)	FPS-8	0080321
7	D9-D9 Cable (included in FPS-8 sales pack)	AXS-4	0730090
8	Printer cable IEEE1284 Parallel Cable (included in FPS-8C sales pack)	AXP-8	073F000
9	AC charger (included in FPS-8 sales pack)	ACF-8	0680032
10	Software protection key	PKD-1	0750018
11	Service SW for NPW-2 Service SW for Phoenix (included in FPS-8 sales pack) Service SW for NPW-1		8410137 0198431
14	RF cable	XRS-6	0730231
16	Audio box	JBA-8	0770320
20	RF probe	GAC-2	0770379
24	Audio Cable	ADS-6	0730241

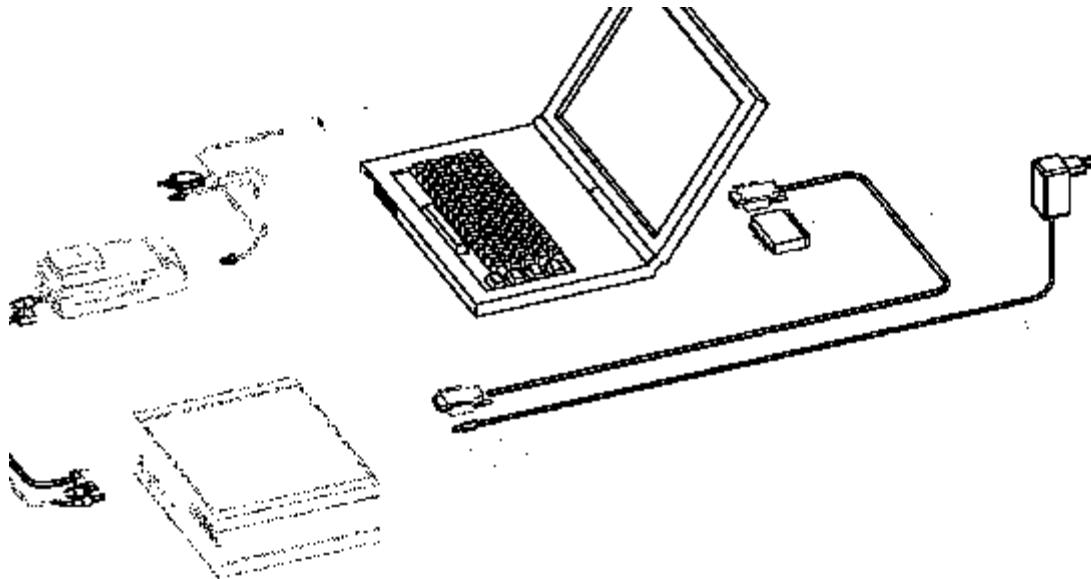
Tuning and call testing need an external power supply.

Service Tool Setup 2a

This setup is for testing and tuning (RF testing and tuning is not possible) and Energy Management (EM) calibration.

To accomplish the EM calibration, the JBV-1 must be powered by 12V external power supply. The EM calibration can also be done by connecting the JBV-1 to a PC using a DAU-9S cable.

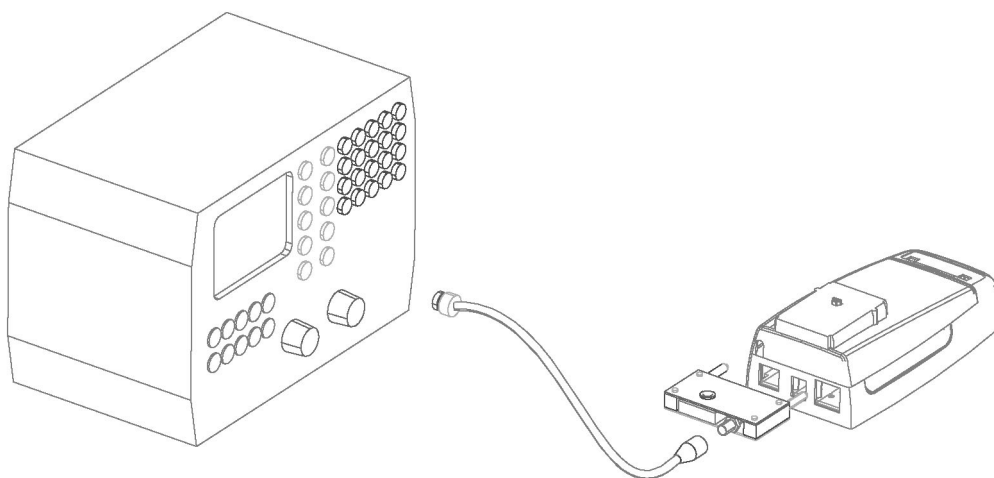
Figure 2: Service tool setup 2a



Service Tool Setup 2b

RF testing and tuning is possible with this setup.

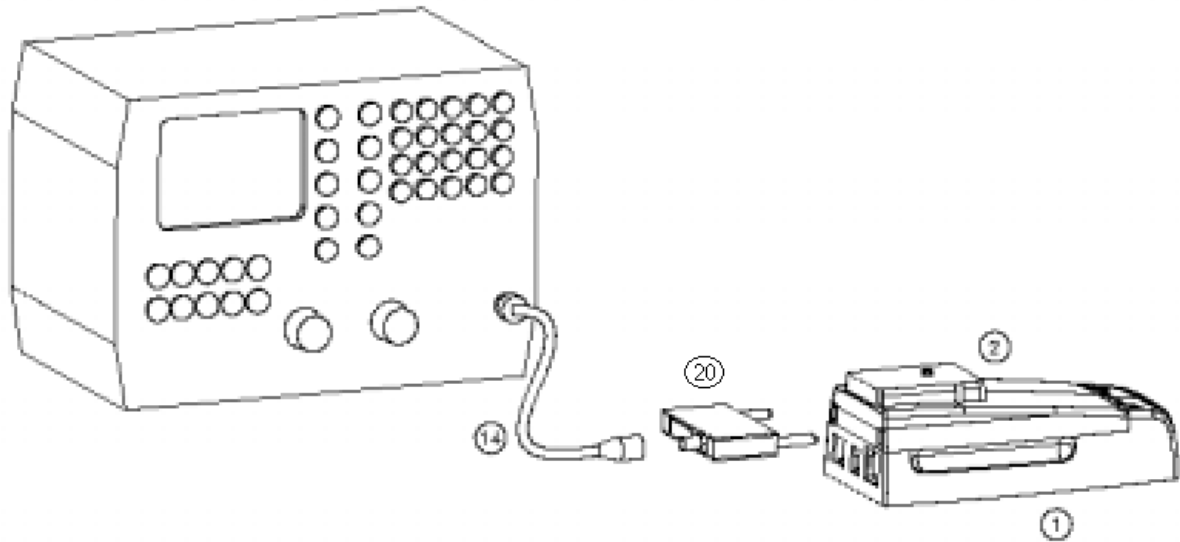
Figure 3: Service tool setup 2b



Service Tool Setup 2c

This setup makes antenna go/no go testing possible.

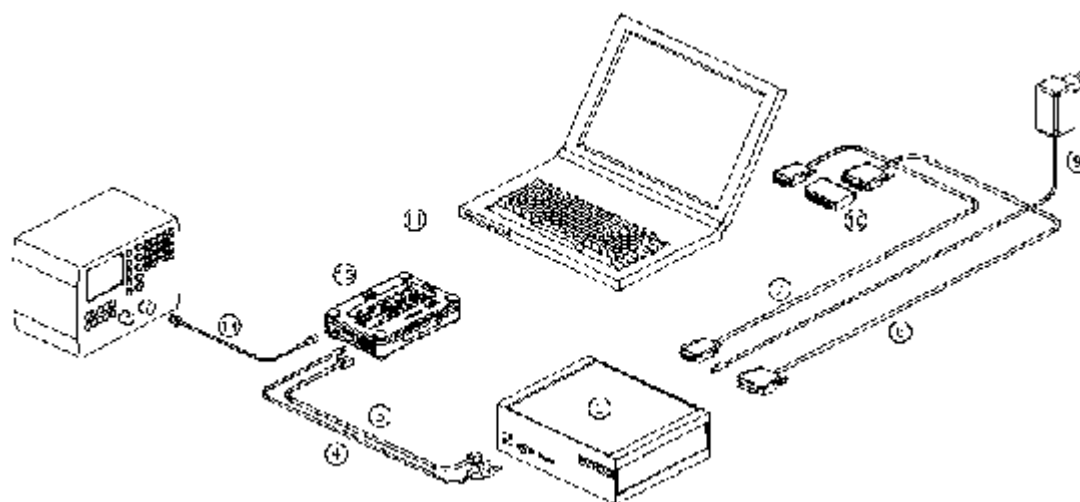
Figure 4: Service tool setup 2c



Flashing and testing with covers off (Setup 3)

Item	Name	Type	Code
3	Service cable	XCS-4	0730178
4	DC cable	PCS-1	0730012
6	Flash prommer (optional for testing and tuning)	FPS-8	0080321
7	D9-D9 cable	AXS-4 (included in FPS-8C sales pack)	0730090
8	Printer cable, IEEE 1284 parallel cable	AXP-8 (included in FPS-8C sales pack)	073F000
9	AC charger (included in FPS-8 sales pack)	ACF-8	0680032
10	Software protection key	PKD-1	0750018
11	Service SW for Phoenix (included in FPS-8 sales pack)		0198431
14	Audio box	JBA-8	0770320
15	Module jig	MJS-17	0770353

Figure 5: Service tool setup 3



Parallel Flash (Setup 4)

The Parallel Flash setup allows flashing eight individual handsets at the same time. This requires the PC to fulfill the following requirements: the PC has to have two physical serial ports (COM 1 and COM2).

Item	Name	Type	Code
1	Docking station	JBV-1	0770298
2	Docking station adapter	MJF-1	0770354
3	Service cable	XCS-4	0730178
4	DC cable	PCS-1	0730012
7	2 x D9-D9 cable (included in FPS-8C sales pack)	AXS-4	0730090
8	Printer cable, IEEE 1284 parallel cable (included in FPS-8C sales pack)	AXP-8	073F000
10	Software protection key	PKD-1	0750018
11	Service SW for Phoenix (included in FPS-8 sales pack)		0198431
17	Parallel Flash Prommer	FPS-8C	8406941
	AC cable for FPS-8C (included in the FPS-8C sales pack)		

Figure 6: Service tool setup 4

